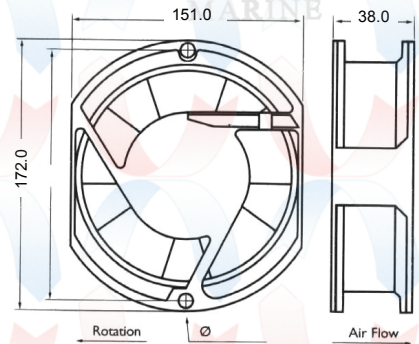
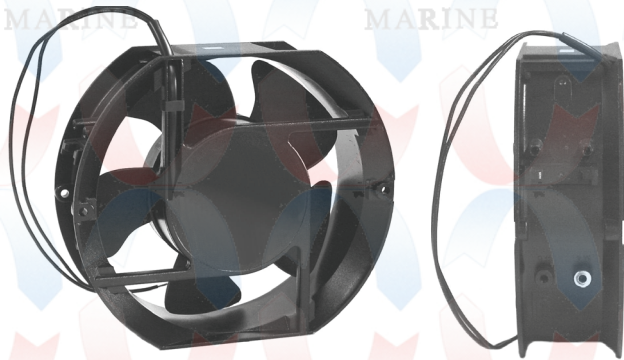


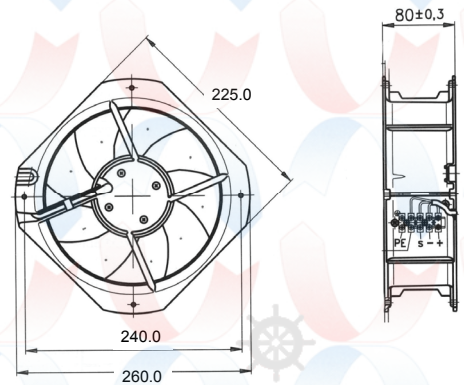
Axial ventilator MFA

Type brushless



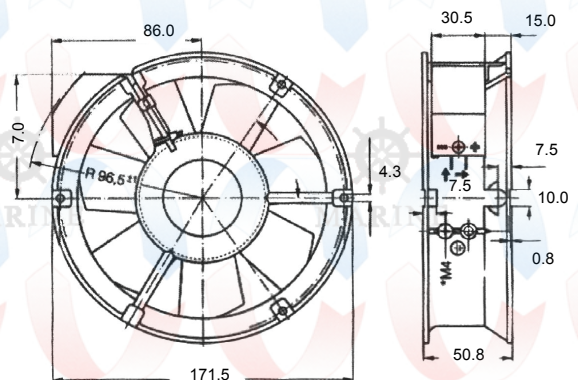
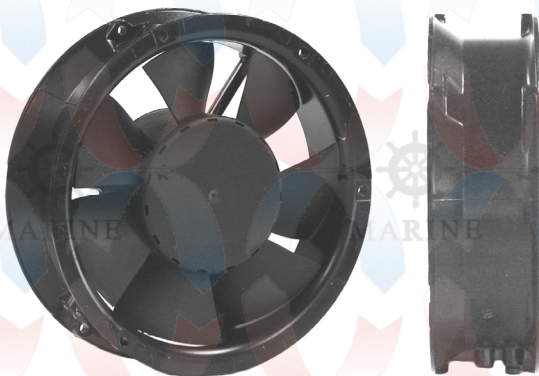
Part no.	Description Axial ventilator	Current	Speed	Capacity	Weight	Diameter	Stat. Press.
----------	---------------------------------	---------	-------	----------	--------	----------	--------------

MFA 7.0203	230 V AC 50/60Hz Brushless, ball bearing	0.12 A	3000 rpm	300 m ³ /hr	0.78 kg	172 mm	0-120 mm H ₂ O
------------	--	--------	----------	------------------------	---------	--------	---------------------------



Part no.	Description Axial ventilator	Current	Speed	Capacity	Weight	Diameter blade	Stat. Press.
----------	---------------------------------	---------	-------	----------	--------	-------------------	--------------

MFA 7.0204	24 V DC Brushless condenser Alu. housing	2.2 W	2800 rpm	1000 m ³ /hr	2 kg	195 mm	0-240 Pa
------------	---	-------	----------	-------------------------	------	--------	----------



Part no.	Description Axial ventilator	Current	Speed	Capacity	Weight	Diameter blade	Stat. Press.
----------	---------------------------------	---------	-------	----------	--------	-------------------	--------------

MFA 7.0205	24 V DC Brushless	0.18 A	3500 rpm	410 m ³ /hr	0.78 kg	172 mm	0-150 mm H ₂ O
------------	-----------------------------	--------	----------	------------------------	---------	--------	---------------------------