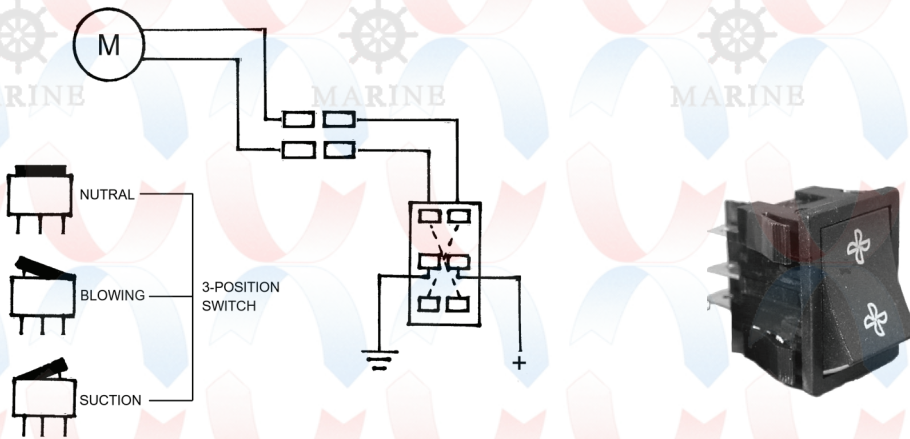


Switches MSW

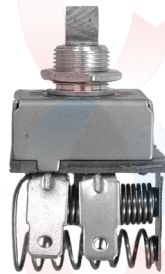


Part no.	Specifications
----------	----------------

MSW 20.0005	3 Position switch for rooftop ventilator with marking and red inlay
-------------	---



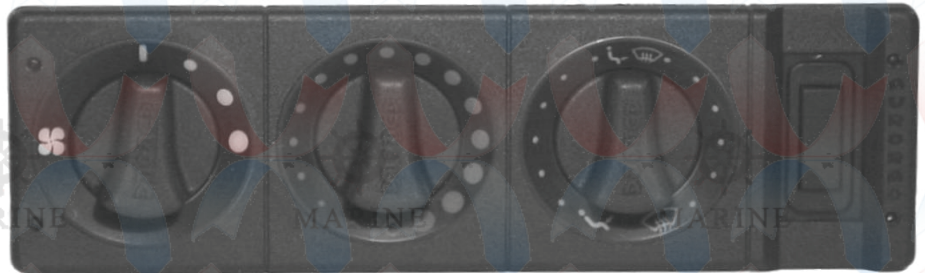
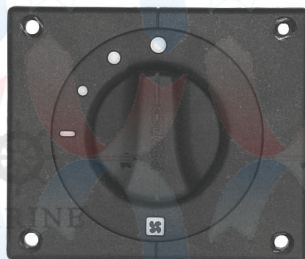
MSW 20.0002



MSW 20.0007

Part no.	Description
----------	-------------

MSW 20.0001	3 Position universal blower switch incl. knob
MSW 20.0002	3 Position universal blower switch excl. knob
MSW 20.0006	3 Position universal blower switch incl. knob incl. resistor
MSW 20.0007	3 Position universal blower switch excl. knob incl. resistor



Part no.	Description
----------	-------------

MSW 20.0020	Single control panel with 3-position switch incl knob
MSW 20.0019	Control panel 2 position switch blower & watervalue control (manual)
MSW 20.0021	1 Control panel with 3 position switch for blower, cable control watervalue and air diffuser